

Safety and Regulatory Information

The following sections contain notices for various countries:

NOTICE FOR THE U.S.

FCC Part15: This equipment has been tested and found to comply with the limits for a Class B digital device, pursuant to Part 15 of the FCC Rules. These limits are designed to provide reasonable protection against harmful interference in a residential installation. This equipment generates, uses, and can radiate radio frequency energy and, if not installed and used in accordance with the instructions, may cause harmful interference to radio communications. However, this notice is not guaranteed that interference will not occur in a particular installation. If this equipment does cause harmful interference to radio or television reception, which can be determined by turning the equipment off and on, the user is encouraged to try one or more of the following measures:

- Reorient or relocate the receiving antenna.
- Increase the distance between the equipment and receiver.
- Connect the equipment to an outlet on a circuit different from that to which the receiver is connected.
- Consult the dealer or an experienced radio/TV technician.

CAUTION: To comply with the limits for the Class B digital services, pursuant to Part 15 of the FCC Rules, this device must be installed with computer equipment certified to comply with the Class B limits.

Modifications

Any changes or modifications not expressly approved by the grantee of this device could void the user's authority to operate the device.

State of California Proposition 65:

WARNING: Handling the cord(s) on this product may expose you to lead, a chemical known to the State of California to cause cancer and birth defects or other reproductive harm.

Wash hands after handling.

NOTICE FOR CANADA

This apparatus complies with the Class 'B' limits for radio interference as specified in the Canadian Department of Communications Radio Interference Regulations.



WARNING: To prevent fire or shock hazard, do not expose this appliance to rain or moisture.

Important Notice

The serial number for your Creative Inspire T2900 is located on the subwoofer. Please write this number down and keep it in a secure place.

Declaration of Conformity

Manufacturer
/Importer's Name: **Creative Labs, Inc.**

Manufacturer
/Importer's Address: **1901 McCarthy Boulevard
Milpitas, CA, 95035
United States
Tel: (408) 428-6600**

declares under its sole responsibility that the product

Trade Name: **Creative Labs**
Model Numbers: **MF0150**

has been tested according to the FCC/CISPR22/97 requirement for class B devices and found compliant with the following standards:

**EMI/EMC: ANSI C63.4 1992, FCC Part 15 Subpart B
Complies with Canadian ICES-003 Class B**

This device complies with part 15 of the FCC Rules. Operation is subject to the following two conditions:
1. This device may not cause harmful interference, and
2. This device must accept any interference received, including interference that may cause undesirable operation.

Ce matériel est conforme à la section 15 des règles FCC. Son Fonctionnement est soumis aux deux conditions suivantes:

1. Le matériel ne peut être source D'interférences et
2. Doit accepter toutes les interférences reçues. Y compris celles pouvant provoquer un fonctionnement indésirable.

Compliance Manager
Creative Labs, Inc.
June 25, 2003

September

© 2003, Creative Technology Ltd. All rights reserved. The Creative logo is a registered trademark. Inspire, Creative Inspire, Muvo are trademarks of Creative Technology Ltd. in the United States and other countries. NOMAD is a registered trademark of Anix and is used by Creative Technology Ltd. and/or its affiliates under license. All other logos, brand or product names are trademarks or registered trademarks of their respective holders and are hereby recognized as such. All specifications are subject to change without notice. Use of this product is subject to a limited warranty. Actual contents may differ slightly from those pictured.

P/N 03MF01500000 Rev. B

CREATIVE INSPIRE™ T2900

MULTIMEDIA SPEAKER SYSTEM

MULTIMEDIA HOPARLÖR SİSTEMİ

多媒體喇叭系統

マルチメディア スピーカー システム

多媒体音箱系统



Quick Start Guide

Démarrage rapide

Instalación rápida

Introdução Rápida

Hızlı Başlat Kılavuzu

快速開始指南

クイックスタートガイド

快速安裝指南



CREATIVE

English Français Español Português do Brasil Türkçe 繁體中文 日本語 简体中文

Important Safety Instructions

Read and Follow Instructions

All safety and operating instructions should be read and followed.

Cleaning

Unplug the power supply adapter from the wall outlet or power source before cleaning. Do not use liquid cleaners or aerosol cleaners. Use a damp cloth for cleaning.

Placement

Do not place the speaker system on an unstable cart, stand, tripod, bracket, or table.

The speaker may fall, causing injury to a person, and serious damage to the product.

Power Sources

This speaker system is specifically designed for operation within the electrical range(s) specified on the provided power adapter and use outside of this range shall be at your own risk.

Please contact your local electric utility company if you have any questions about the electrical voltage at your intended location of usage.

Service

Do not attempt to service any part of the speaker yourself as opening or removing covers may expose you to dangerous voltage or other hazards. Refer all servicing to qualified service personnel.

Compliance

This product conforms to the following Council Directive: Directive 89/336/EEC (EMC), 92/31/EEC (EMC), 73/23/EEC (LVD)

Specifications

Creative Inspire T2900

Satellite speaker:

6 watts RMS per channel

Subwoofer:

17 watts RMS

Frequency Response:

40Hz - 20kHz

Signal-to-Noise Ratio:

80dB

These specifications apply to Creative Inspire T2900 operating from the supplied 12V AC 2.9A power adapter.

Instrucciones importantes concernant la sécurité

Lire et suivre les instructions

Lisez et suivez attentivement toutes les instructions de sécurité et d'utilisation.

Nettoyage

Débranchez l'adaptateur de la prise murale ou de toute autre source électrique avant de procéder au nettoyage de l'appareil. N'utilisez pas de nettoyeurs liquides ou en aérosol. Utilisez un chiffon humide.

Positionnement des haut-parleurs

N'installez pas le système de haut-parleurs sur une table roulante, un trépied, une console ou tout autre support instable.

Le système de haut-parleurs risque de tomber et d'être sérieusement endommagé mais également de blesser une personne.

Sources d'alimentation

Ce système de haut-parleurs est spécialement conçu pour fonctionner avec les tensions électriques indiquées sur la prise d'alimentation fournie. L'utilisation de tensions non prévues est à votre propre risque.

Contactez votre compagnie d'électricité pour toute question concernant la tension électrique à l'endroit d'utilisation prévu.

Réparation

N'essayez pas de réparer le système de haut-parleurs vous-même. Ouvrir ou retirer les parties protectrices de l'appareil peut vous exposer à des composants électriques sous haute tension ou à d'autres risques. Toute réparation doit être effectuée par un personnel qualifié.

Conformité

Ce produit est conforme aux Directives du Conseil suivantes: directive 89/336/CEE (CEM), 92/31/CEE (CEM), 73/23/CEE (LVD)

Spécifications

Creative Inspire T2900

Haut-parleur satellite :

6 watts RMS par canal

Caisson de basse :

17 watts RMS

réponse en fréquence:

40Hz - 20kHz

rapport signal/bruit:

80dB

Ces spécifications s'appliquent au modèle Creative Inspire T2900 fonctionnant avec la prise d'alimentation 12 V c.a. 2.9A fournie.

Instrucciones importantes sobre seguridad

Lea y siga las instrucciones

Debe leer y seguir todas las instrucciones sobre seguridad y funcionamiento.

Limpieza

No site el altavoz en un carrito, estantería, trípode, soporte o mesa inestable. El altavoz se podría caer y provocar graves lesiones a las personas y quedar seriamente dañado.

Colocación de los altavoces

No instale el altavoz en un carrito, estantería, trípode, soporte o mesa inestable. El altavoz se podría caer y provocar graves lesiones a las personas y quedar seriamente dañado.

Este sistema de altavoces está especialmente diseñado para funcionar dentro de las amplitudes eléctricas especificadas en el adaptador de alimentación. El empleo de otras potencias que estén fuera de las mencionadas amplitudes quedará a la entera responsabilidad del usuario.

Si tiene dudas con respecto al voltaje que le corresponde utilizar en su lugar de residencia, consulte a la compañía eléctrica local.

Reparaciones

No intente reparar ninguna parte del altavoz por su cuenta. Si abre o retira las cubiertas, se puede ver expuesto a descargas eléctricas u otros riesgos. Deje las reparaciones en manos del personal de servicio cualificado.

Compatibilidad

Este producto cumple con la siguiente directiva: Directiva 89/336/EEC (EMC), 92/31/EEC (EMC), 73/23/EEC (LVD)

Especificações

Creative Inspire T2900

Altavoz auxiliar:

6 vatios de carga eficaz por canal

Altavoz de graves:

17 vatios de carga eficaz

Resposta de frequência:

40Hz - 20kHz

Cociente sinal/ruído:

80dB

Estas especificações se aplican para el uso del Creative Inspire T2900 con el adaptador de alimentación de 12V CA 2.9A suministrado.

Instruções importantes sobre segurança

Leia e siga as instruções

Todas as instruções de segurança e de operação devem ser lidas e seguidas.

Limpeza

Desconecte o adaptador de fonte de alimentação da tomada elétrica ou fonte de energia antes de limpar. Não use produtos de limpeza líquidos ou em aerosol. Use uma flanela umedecida para limpar.

Posicionamento do sistema de caixas

Não coloque o sistema de caixas de som em um carro, estante, tripé, suporte ou mesa instável.

As caixas podem cair, machucando pessoas e causando danos graves ao produto.

Este sistema de som foi desenvolvido especificamente para operação dentro da faixa elétrica especificada no adaptador de alimentação fornecido e a utilização fora dessa faixa ficará por sua conta e risco.

Entre em contato com sua companhia elétrica se tiver dúvidas com relação à voltagem do local de utilização desejado.

Manutenção

Não tente você mesmo fazer manutenção em qualquer parte das caixas de som; a abertura ou remoção das tampas pode expô-lo a voltagens perigosas e outros riscos. Qualquer manutenção deve ser feita por pessoal qualificado.

Conformidade

Este produto está em conformidade com a seguinte diretiva de conselho: Diretiva 89/336/EEC (EMC), 92/31/EEC (EMC), 73/23/EEC (LVD)

Especificações

Creative Inspire T2900

Alto-falante:

RMS de 6 watts por canal

Subwoofer:

RMS de 17 watts

Resposta de frequência:

40Hz a 20kHz

Relação sinal/ruído:

80dB

Estas especificações aplicam-se a Creative Inspire T2900 operando a partir do adaptador de alimentação de 12V AC 2.9A fornecido.

Önemli emniyet talimatları

Talimatları okuyun ve takip edin

Tüm emniyet ve işletim talimatlarını okumayı ve takip edilmesini gerekir.

Temizleme

Hoparlör sistemini önce gerilim besleme adaptörünü duvardaki güç kaynağı prizinden çıkarın. Bu durumda hoparlörler düşebilir ve yaralanmaya sebep olup ürün ciddi biçimde hasar görebilir.

Yerleştirme

Hoparlör sistemini sabit olmayan bir sürgü, stand, tripod, destek ya da masa üzerine yerleştirmeyin. Bu durumda hoparlörler düşebilir ve yaralanmaya sebep olup ürün ciddi biçimde hasar görebilir.

As caixas podem cair, machucando pessoas e causando danos graves ao produto.

Güç kaynağı

Bu hoparlör sistemi, ürün ile birlikte sevik edilen adaptörün üzerinde yazan voltaj aralığında / aralıklarında çalıştırılmak üzere özel olarak tasarlanmıştır; bu aralık dışında yapılacak işletimin riskini siz üstlenirsiniz.

Çihazı kullanacağınız yerdeki elektrik voltajı hakkında sorunuz olmasa da, lütfen yerel elektrik idarelerine başvurun.

Servis hizmeti

Lütfen cihazın hiçbir parçasını kendi başınıza onarmaya kalkışmayın, aksi halde kapakların çıkarılması sizi tehlikeli elektrik akımları ya da diğer tehlikeler ile karşı karşıya bırakabilir. Tüm servis hizmetlerini, yetkili servis personeline bırakın.

Sikayetler

Bu ürün aşığıdaki danışma kurulu yönetimine uygunluk gösterir: Yönerge 89/336/EEC (EMC), 92/31/EEC (EMC), 73/23/EEC (LVD)

Spesifikasyonlar

Creative Inspire T2900

Satellite hoparlör:

Kanal başına 6 watt RMS

Subwoofer:

17 watt RMS

İşaret-Gürültü Gücü

Oran: 80dB

Frekans Yanıtı:

40Hz - 20kHz

Bu spesifikasyonlar, 12V AC 2.9A güç adaptörüyle beslenen Creative Inspire T2900 cihazı için geçerlidir.

重要的安全說明

閱讀並按照說明操作

所有的安全與操作說明都應該通讀並按照說明操作。

清潔

清潔之前，從牆壁插座或其他電源上拔下變壓器的插頭。請勿使用液態或氣霧劑之類的清洗劑。使用濕布擦洗。

放置

請勿將喇叭系統放在不穩定的車上、掛物架上、三腳架上、拖架上或者餐桌上。

這樣會使喇叭掉下來，對人造成傷害，同時也使產品受到損害。

電源

本喇叭須在隨產品附贈的電源供應器上指定的電壓範圍內使用，否則將對您構成危險。

如果您對於當地的電壓狀況有疑問，請諮詢當地電力部門。

維修

不要擅自維修喇叭的任何元件，打開或移開外殼容易導致觸電及其它危險。所有的維修應該交給維修部門處理。

依從標準

本產品依從下列標準： Directive 89/336/EEC (EMC), 92/31/EEC (EMC), 73/23/EEC (LVD)

規格

Creative Inspire T2900

3 聲道功率放大

每聲道 6 瓦輸出功率

重低音音箱:

17 瓦輸出功率

信噪比:

80dB

頻率響應:

40Hz 至 20kHz

本規格只適用於 Creative Inspire T2900 由附帶的 12 伏交流 2.9 安培交流電源供應器提供電力的工作狀態。

安全に関する重要な説明

操作説明の遵守

安全に関する説明と操作説明を十分に読み守って下さい。

清掃

清掃前には、AC アダプターをサブウーファーから外して下さい。液体洗剤やエアロゾル洗剤は使用しないで下さい。清掃には、柔らかい布をご使用下さい。

設置場所

スピーカーを不安定なカート、スタンド、三脚、ブラケット、又は、テーブルに設置しないで下さい。スピーカーを落とすと、子供や大人が重傷を負ったり、製品が破損する恐れがあります。

電源

このスピーカーは、付属の AC アダプターで動作するように設計されています。付属している AC アダプター以外の AC アダプターは使用しないで下さい。

修理

高電圧部や他の危険な箇所が露出して感電をおこす危険性がある為、カバーを開けたり取り外したりしてスピーカーをご自身で修理することは避けて下さい。修理は、弊社カスタマーサービス係りにお問い合わせ下さい。

準拠

本製品は以下の審議会指示に準拠しています。 DIRECTIVE 89/336/EEC (EMC), 92/31/EEC (EMC), 73/23/EEC (LVD)

仕様

Creative Inspire T2900

サテライトスピーカー:

6 watts RMS/ チャンネル

サブウーファー:

17 watts RMS

SNR (SN 比):

80dB

周波数特性:

40Hz~20kHz

これらの仕様は、付属の 12V AC 2.9A 電源アダプターで動作させた場合です。

重要安全说明

阅读并遵守此说明

必需阅读并遵守所有的安全及操作说明。

清洁

进行清洁之前，先从墙体插座或其它电源上拔下电源插头。不要使用液体清洁剂或喷雾剂。请使用湿布进行清洁。

摆放

请勿将本音箱系统放在不稳定的车上、挂物架上、三脚架上、拖架上、或者桌子上。

这样做可能会使音箱掉下来，伤害周围的人，同时也会使产品受到严重损害。

电源

本音箱须在随产品附带的变压器上指定的电压范围内使用，否则将对您构成危险。

如果您对于本地的电压状况存有疑问，请咨询当地电力部门。

维修

不要擅自维修音箱的任何部分，打开或移开外壳可能会触电或导致其它危险。所有的维修应由专业维修人员处理。

合格

本产品符合下列委员会指令: Directive 89/336/EEC (EMC), 92/31/EEC (EMC), 73/23/EEC (LVD)

规格

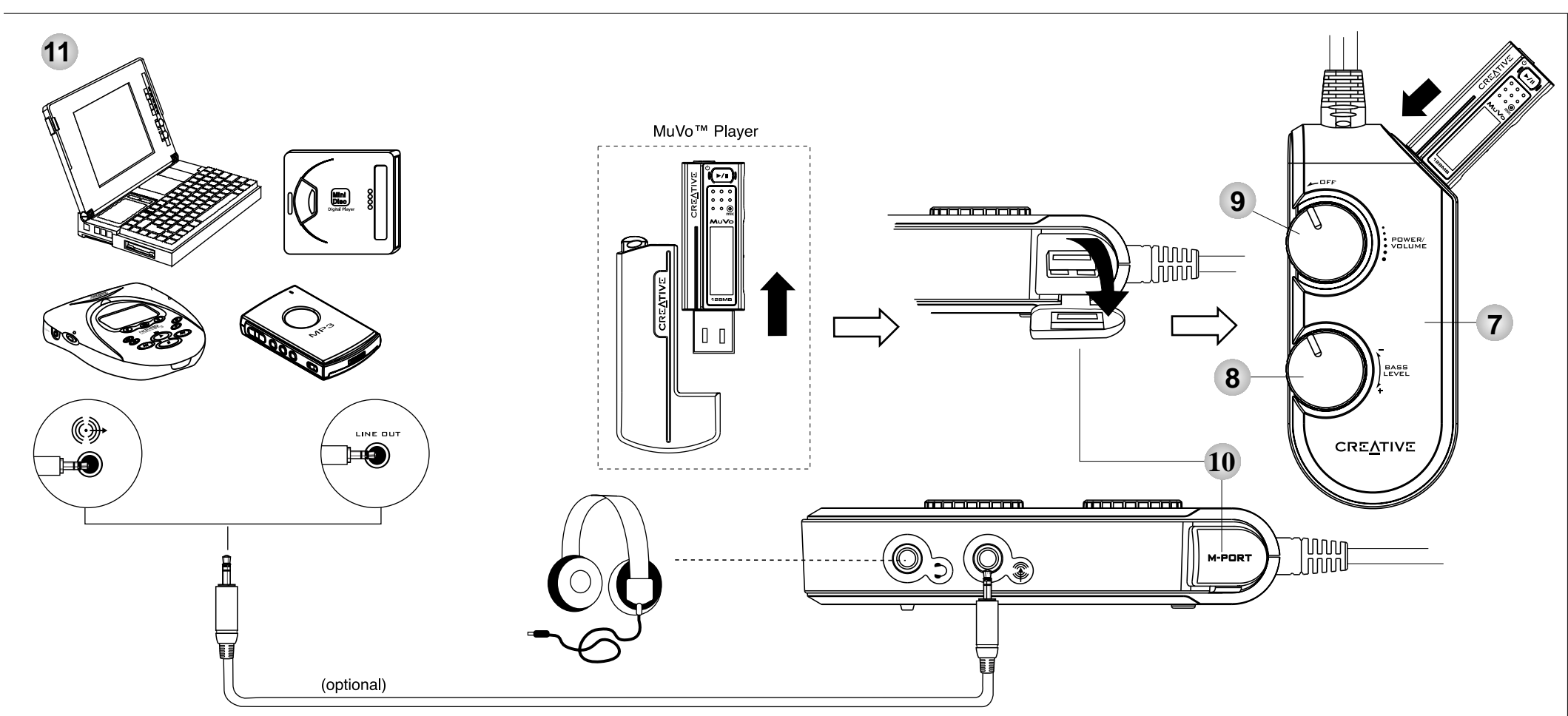
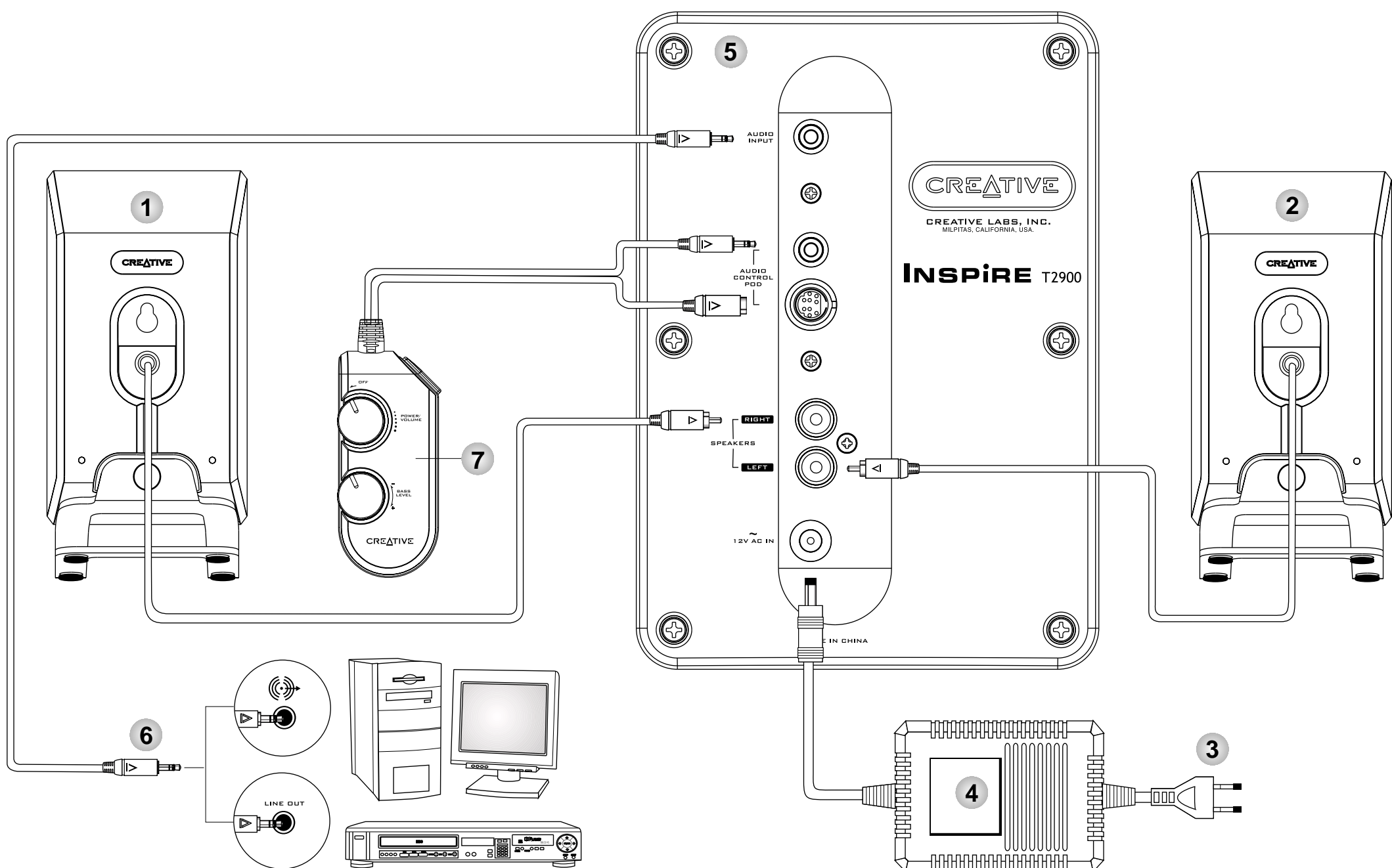
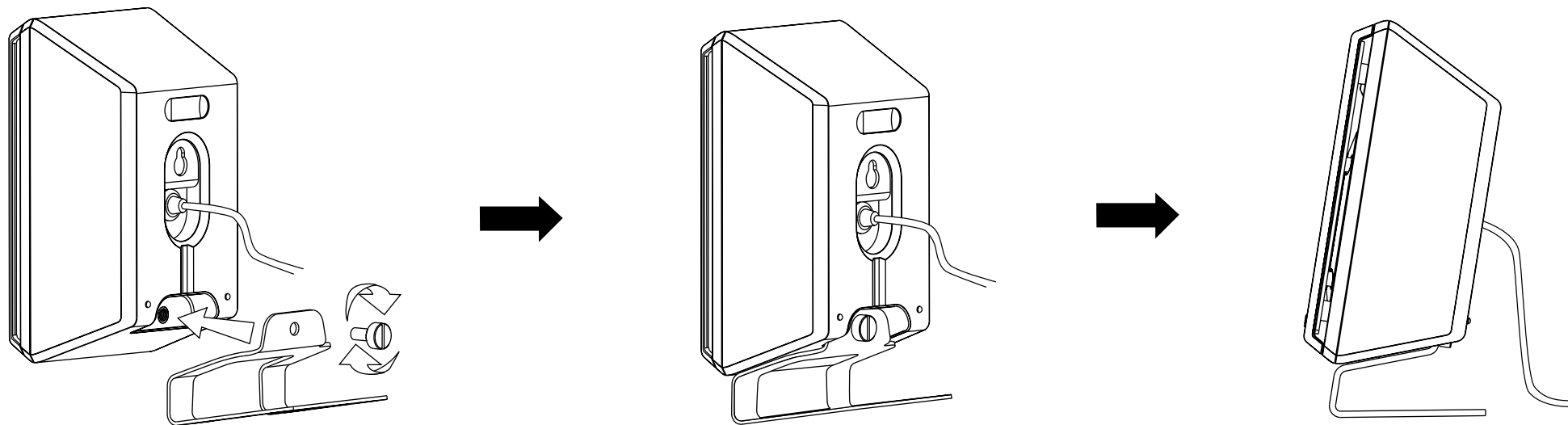
Creative Inspire T2900

音箱系统:

额定功率 6 瓦(每声道)

- **Connectivity Diagram**
- **Schéma de connexion**
- **Diagrama de conectividad**
- **Diagrama de conectividade**

- **Bağlantı diyagramı**
- **連接示意圖**
- **接続図**
- **连接示意图**



English	Français	Español	Português do Brasil	Türkçe	繁體中文	日本語	简体中文
1 Right Satellite Speaker	Haut-parleur satellite droit	Altavoz satélite derecho	Alto-falante satélite direito	Sağ Satellite Hoparlör	右聲道喇叭	サテライトスピーカー (右)	右卫星音箱
2 Left Satellite Speaker	Haut-parleur satellite gauche	Altavoz satélite izquierdo	Alto-falante satélite esquerdo	Sol Satellite Hoparlör	左聲道喇叭	サテライトスピーカー (左)	左卫星音箱
3 To Wall Outlet (Disconnect when not in use for several days)	Vers la prise murale (Déconnectez le système si vous n'avez pas l'intention de l'utiliser pendant plusieurs jours)	A la toma de corriente (desconéctelo cuando no se vaya a utilizar durante varios días)	Para Tomada Elétrica (Desconectar quando não estiver em uso por vários dias)	Duvar çıkışı (Birkaç gün kullanılmayacak ise bağlantılar kesin)	至牆壁插座 (長時間不用時請拔下電源插頭)	AC コンセントへ接続 (数日間使用しない時はコンセントを抜いて下さい)	至牆壁插座 (长时间不用请拔下电源插头)
4 Power Supply Adapter (Types of adapter may vary in different countries)	Adaptateur d'alimentation (le modèle peut varier selon le pays)	Adaptador de alimentación (los tipos de adaptadores pueden variar según el país)	Adaptador de Fonte de Alimentação (Os tipos de adaptador podem variar em diferentes países)	Güç kaynağı adaptörü Adaptör tipinin ülkelere göre farklılık gösterebilir (farklılık gösterebilir)	變壓器 (不同國家・變壓器類型可能不同)	AC アダプター (付属の AC アダプター以外は使用しないで下さい)	變壓器 (不同國家, 變壓器類型可能不同)
5 Subwoofer	Caisson de basses	Subgrave	Subwoofer	Subwoofer	重低音音箱	サブウーファー	低音炮
6 To Desktop Audio Devices	Vers périphériques audio de bureau	A dispositivos de audio de escritorio	Para dispositivos de áudio de área de trabalho	Masaüstü Ses Aygıtları	接至桌面音頻設備	デスクトップオーディオデバイスへ	接至桌面音頻裝置
7 Audio Control Pod	Cosse de contrôle audio	Unidad de control de audio	Mesa de controle de áudio	Ses Kontrol Bölümü	音頻控制板	オーディオコントロールポッド	音頻控制盒
8 Bass Level Control	Bouton de réglage des basses	Control de nivel de graves	Controle do nivel de graves	Bas seviye kontrolü	低音旋鈕	バスレベルコントロール	低音音量控制
9 Volume Control With Power ON/OFF Switch	Contrôle du volume avec interrupteur on/off	Control de volumen con interruptor de encendido	Controle de volume com chave de liga/desliga	Güç Açık/Kapalı Düğmesiyle Ses Yüksekliği Denetimi	帶電源開關的音量控制	ボリュームコントロール用 ON/OFF スイッチ	帶有電源開關的音量控制
10 M-PORT™ (Applicable to players that support M-PORT connector such as Creative® NOMAD® MuVo™ NX)	M-PORT™ (Adapté aux lecteurs prenant en charge un connecteur M-PORT, tel que Creative® MuVo™ NX)	M-PORT™ (Aplicable a reproductores que admitan conectores M-PORT, como a Creative® MuVo™ NX)	M-PORT™: (Aplicável para reprodutores com suporte para conectores de M-PORT, como a Creative® NOMAD® MuVo™ NX)	M-PORT™: Creative® NOMAD® MuVo™ NX gibi M-PORT bağlantısını destekleyen cihazlarda kullanılabilir	M-PORT™: (適用於支援 M-PORT 連接埠・請如 Creative® NOMAD® MuVo™ NX 的播放機)	M-PORT™: Creative® NOMAD® MuVo™ NX など、M-PORT コネクタをサポートするプレーヤーに適用可	M-PORT™: (适用于支持 M-PORT 接口, 诸如 Creative® NOMAD® MuVo™ NX 的播放机)
11 To Portable Audio Devices (Optional)	Vers périphériques audio portables (En option)	A dispositivos de audio portátiles (Opcional)	Para dispositivos de áudio portátil (Opcional)	Taşınabilir Ses Aygıtları (İsteğe Bağlı)	接至可移动式音頻設備 (選購的)	ポータブルオーディオデバイスへ(オプション)	接至可攜式音頻裝置 (另行購買)